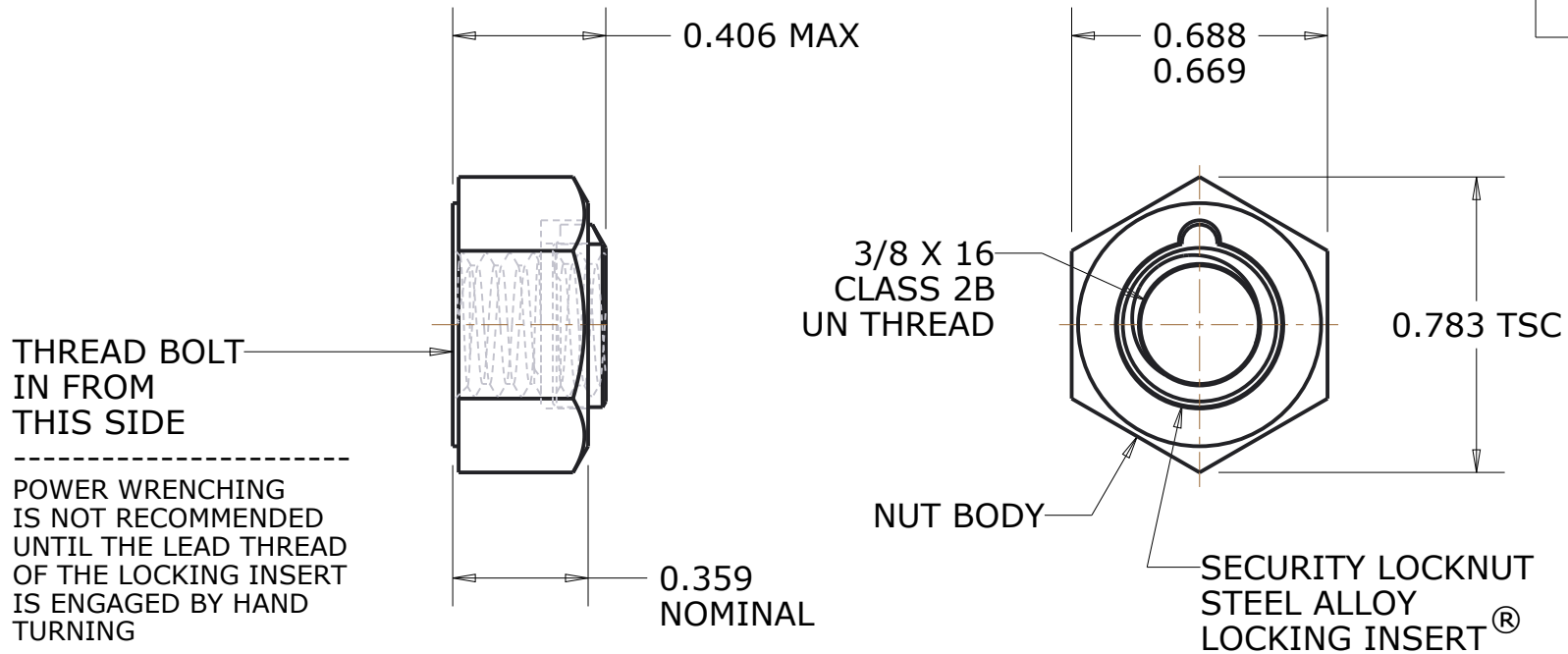




SCALE 1.000



**Product Features**

- Reusable
- Vibration Proof
- Chemical Resistant
- Usable Temperature Minus 50°F to 570°F
- Locks in Full 360° Rotation

**Product Specifications**

- Prevailing Torque- IFI- 100/107 standard
- Material Properties - SAE J995 / ASTM A563
- Dimensional - ANSI/ASME B.18.2.2.2; 2012
- Threads - Class 2B (UNC & UNF)



999 Forest Edge Drive  
Vernon Hills, IL 60061  
847-970-4050  
www.securitylocknut.com

**3/8 X 16 Heavy Hex**

Wt/100: 3.1 Lbs

SCALE: 2.0

UNITS: INCHES

REV: A

DATE: JAN 06, 2014

Grade Code (G)  
1 = Grade 5  
2 = Grade 8

Plating Code (P)  
0 = No Plating  
2 = Zinc Dichromate (ZDC)  
5 = ATD (Lock Only)  
6 = ATD (Nut Body and Lock)  
7 = ZDC Nut Body / ATD Lock

**PART NUMBER**

**1001-0375-160-G-P**

BODY STYLE	THREAD SIZE (x 0.001)	PITCH (x 0.01)	GRADE CODE	PLATING CODE
---------------	--------------------------	-------------------	---------------	-----------------