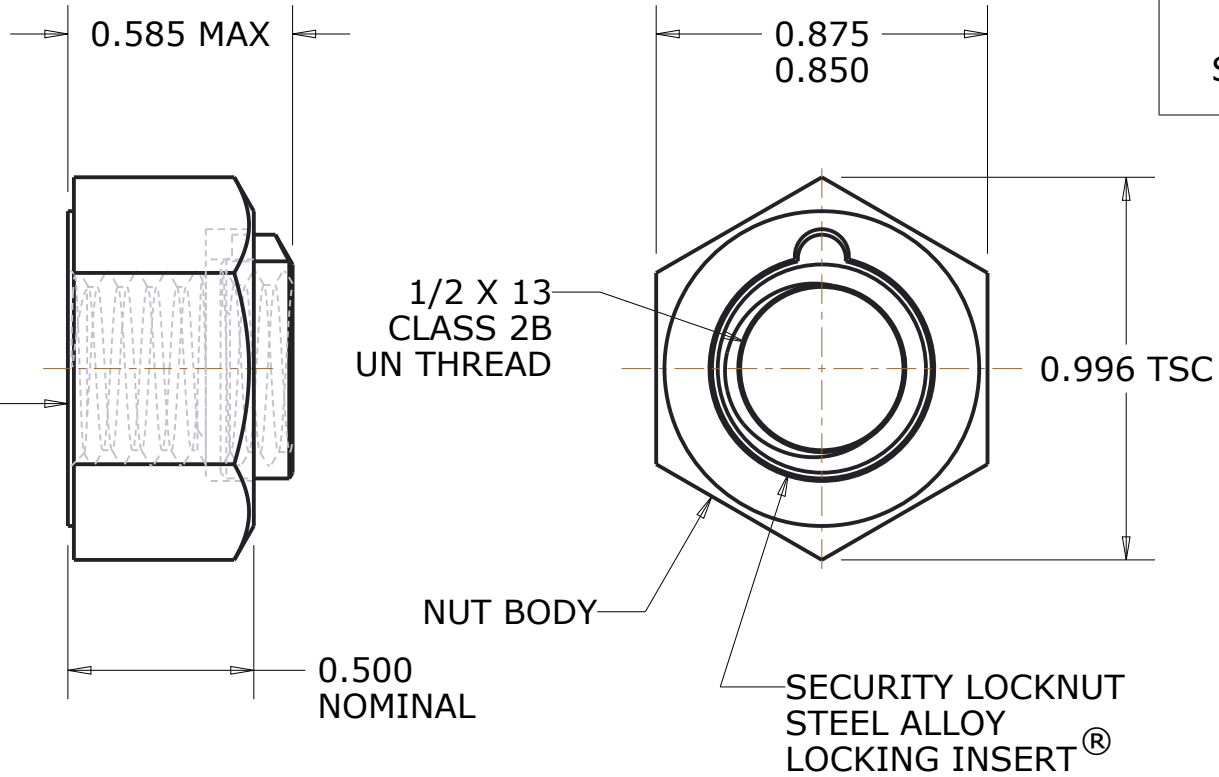




SCALE 1.000



Product Features

- Reusable
- Vibration Proof
- Chemical Resistant
- Usable Temperature Minus 50°F to 570°F
- Locks in Full 360° Rotation

Product Specifications

- Prevailing Torque- IFI- 100/107 standard
- Material Properties - SAE J995 / ASTM A563
- Dimensional - ANSI/ASME B.18.2.2.2; 2012
- Threads - Class 2B (UNC & UNF)



999 Forest Edge Drive  
Vernon Hills, IL 60061  
847-970-4050  
www.securitylocknut.com

1/2 X 13 Heavy Hex

Wt/100: 6.6 Lbs

SCALE: 2.0

UNITS: INCHES

REV: A

DATE: JAN 06, 2014

Grade Code (G)  
1 = Grade 5  
2 = Grade 8

Plating Code (P)  
0 = No Plating  
2 = Zinc Dichromate (ZDC)  
5 = ATD (Lock Only)  
6 = ATD (Nut Body and Lock)  
7 = ZDC Nut Body / ATD Lock

PART NUMBER

1001-0500-130-G-P

BODY STYLE	THREAD SIZE (x 0.001)	PITCH (x 0.01)	GRADE CODE	PLATING CODE
---------------	--------------------------	-------------------	---------------	-----------------



**Product Features**

- Reusable
- Vibration Proof
- Chemical Resistant
- Usable Temperature Minus 50° F to 570° F
- Locks in Full 360° Rotation

**Product Specifications**

- Prevailing Torque- IFI- 100/107 standard
- Material Properties - SAE J995 / ASTM A563
- Dimensional - ANSI/ASME B.18.2.2.2; 2012
- Threads - Class 2B (UNC & UNF)



999 Forest Edge Drive  
 Vernon Hills, IL 60061  
 847-970-4050  
[www.securitylocknut.com](http://www.securitylocknut.com)

<b>1/2 X 13 Heavy Hex</b>			
Wt/100: 6.6 Lbs	Grade Code <b>(G)</b> 1 = Grade 5 2 = Grade 8	Plating Code <b>(P)</b> 0 = No Plating 2 = Zinc Dichromate (ZDC) 5 = ATD (Lock Only ) 6 = ATD (Nut Body and Lock) 7 = ZDC Nut Body / ATD Lock	
SCALE: 2.0	UNITS: INCHES	<b>PART NUMBER</b>	
REV: A	DATE:	<b>1001-0500-130-G-P</b>	
		<small>BODY STYLE</small>	<small>THREAD SIZE (x 0.001)</small>
		<small>PITCH (x 0.01)</small>	<small>GRADE PLATING CODE CODE</small>