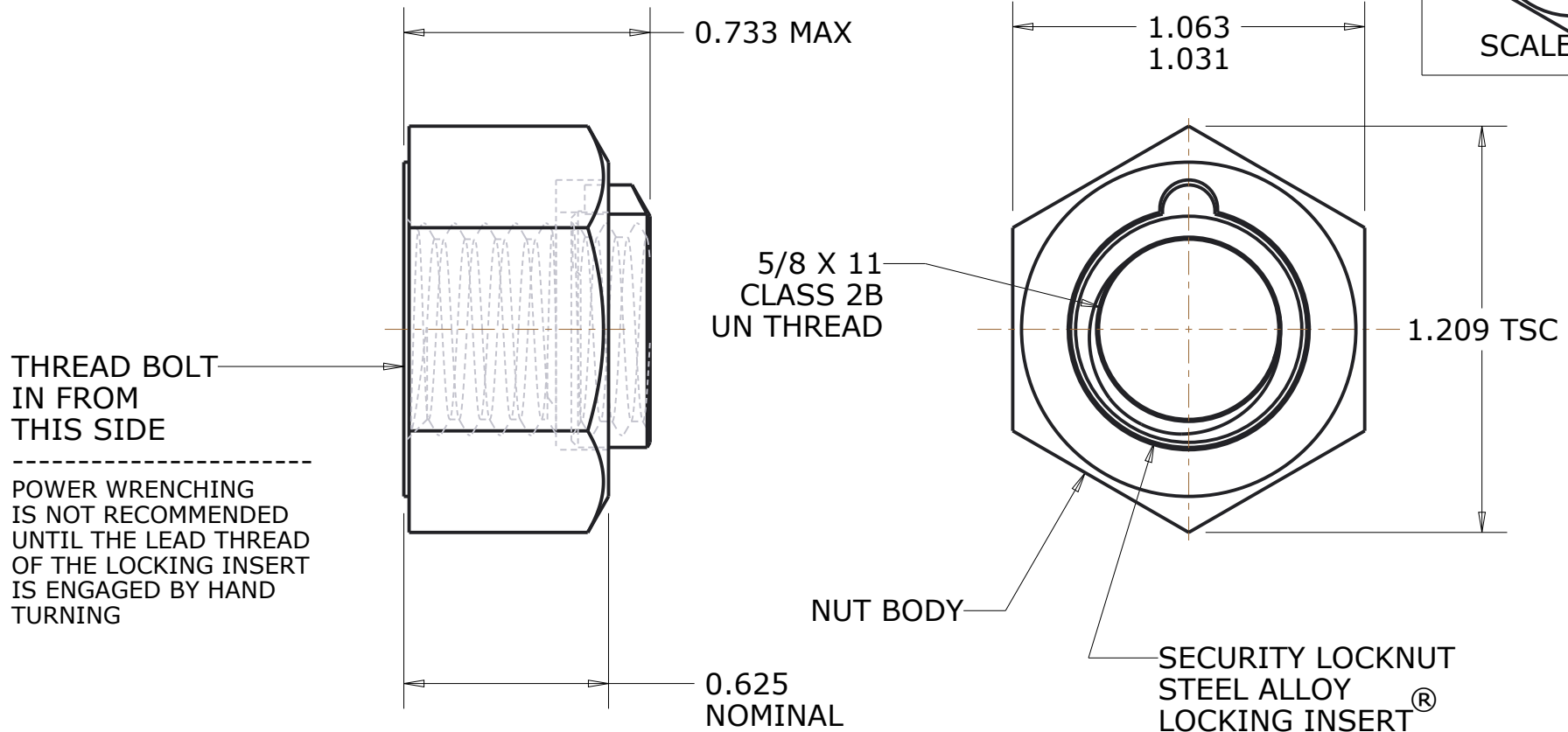




SCALE 1.000



Product Features

- Reusable
- Vibration Proof
- Chemical Resistant
- Usable Temperature Minus 50°F to 570°F
- Locks in Full 360° Rotation

Product Specifications

- Prevailing Torque- IFI- 100/107 standard
- Material Properties - SAE J995 / ASTM A563
- Dimensional - ANSI/ASME B.18.2.2.2; 2012
- Threads - Class 2B (UNC & UNF)



999 Forest Edge Drive
Vernon Hills, IL 60061
847-970-4050
www.securitylocknut.com

5/8 X 11 Heavy Hex

Wt/100: 11.9 Lbs

SCALE: 2.0

UNITS: INCHES

REV: A

DATE: JAN 06, 2014

Grade Code (G)
1 = Grade 5
2 = Grade 8

Plating Code (P)
0 = No Plating
2 = Zinc Dichromate (ZDC)
5 = ATD (Lock Only)
6 = ATD (Nut Body and Lock)
7 = ZDC Nut Body / ATD Lock

PART NUMBER

1001-0625-110-G-P

BODY STYLE	THREAD SIZE (x 0.001)	PITCH (x 0.01)	GRADE CODE	PLATING CODE
---------------	--------------------------	-------------------	---------------	-----------------